

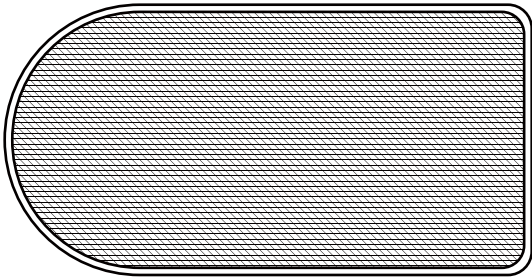
New Shape Low-low Electric Lifting Table User Manual

FT-808PR

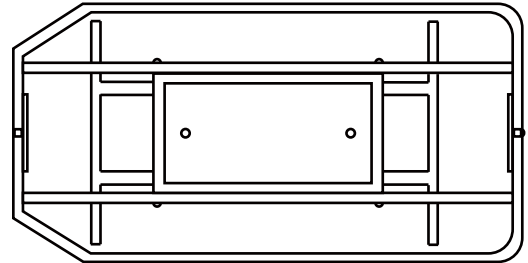


Schematic diagram of accessories

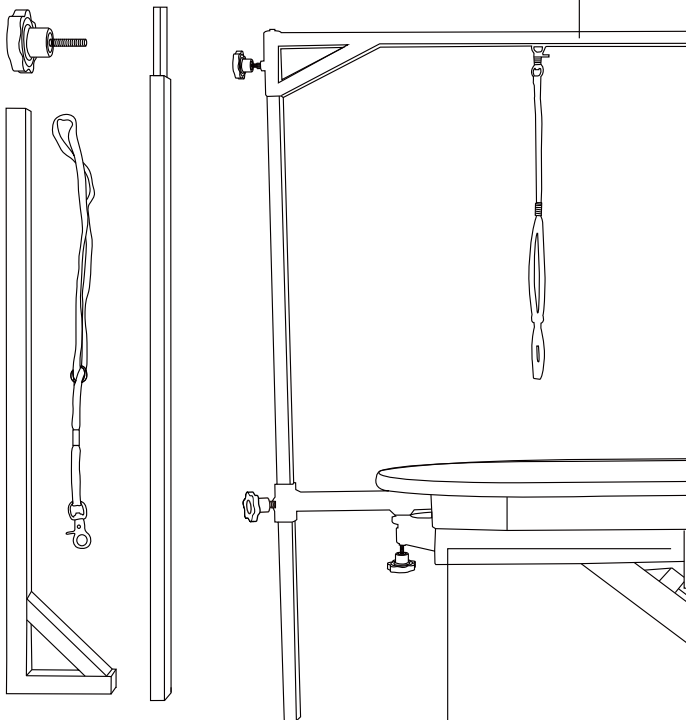
1 Non-slip Table Top *1



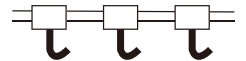
2 Grooming Table Frame *1



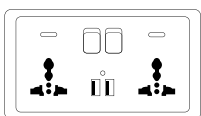
3 Rotatable & Adjustable Grooming Arm set *1



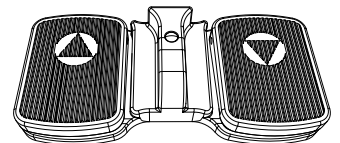
4 Stainless Steel Hook *3



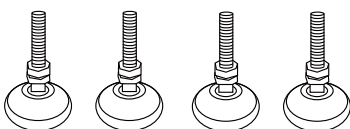
5 Power Socket *1



6 Foot pedal



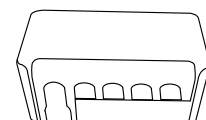
7 Adjustable feet*4



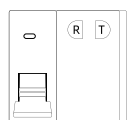
8 Linear actuator 220



9 Transformer



10 ALCI



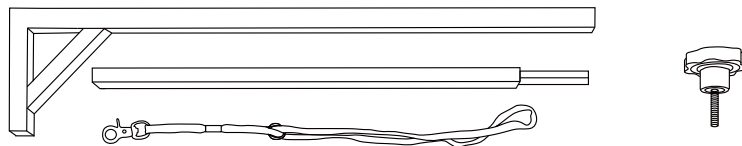
FT-808PR

Accessories

List	Model No.	Spare Parts Name	QTY
1	FT-808PR-01	Non-slip Table Top	1
2	FT-808PR-02	Grooming Table Frame	1
3	FT-020	Rotatable & Adjustable Grooming Arm set	1
4	FT-010	Stainless Steel Hook	3
5	FT-009	Power Socket	1
6	BTS-T003	Foot pedal	1
7	BTS-T005	Adjustable feet	4
8	BTS-T004	Linear actuator 220	1
9	BTS-T006	Transformer	1
10	FT-011	ALCI	1

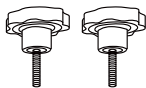
The following accessories need to be installed by oneself

3



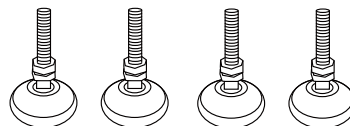
Rotatable & Adjustable Grooming Arm *1

4



M10*25 Handle screw *2

8



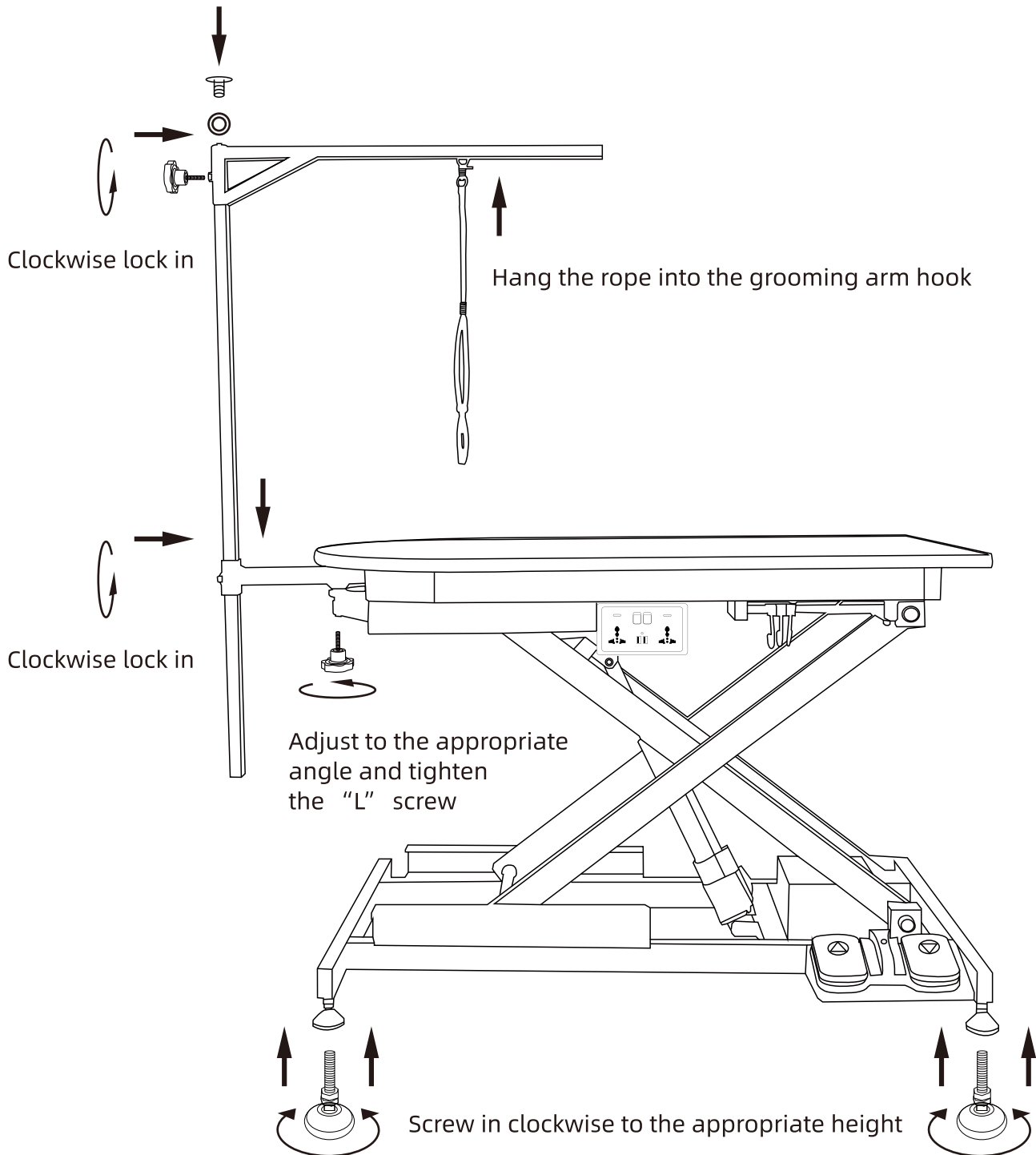
Adjustable feet *4

After receiving the product, please first check if the packaging is severely damaged. Open the packaging and check if the accessories are complete. If there are any quality issues with the product.

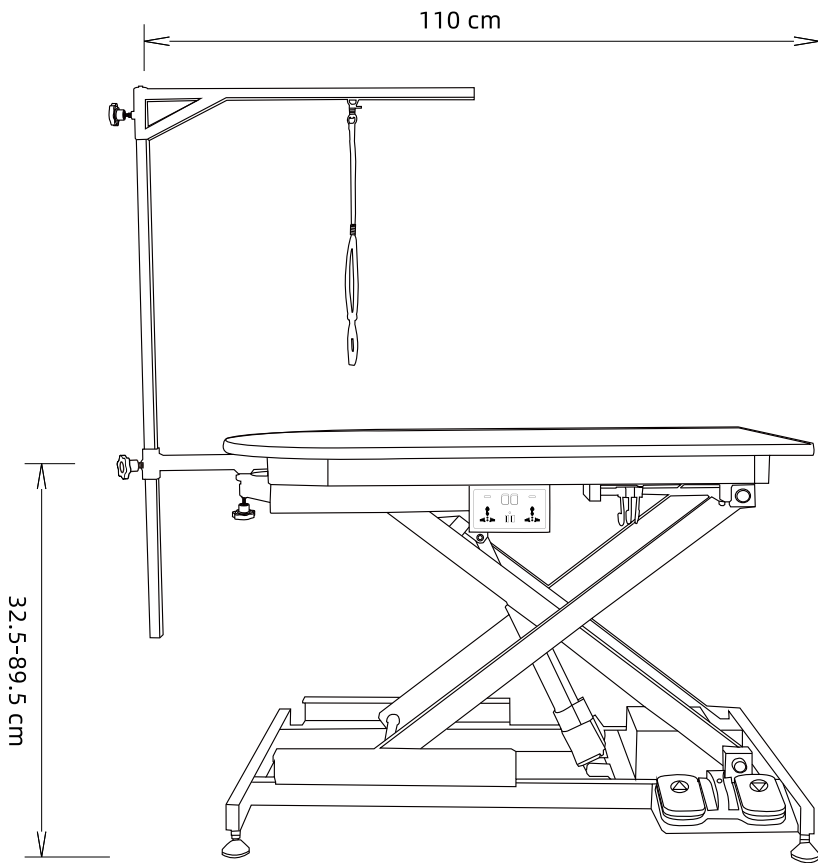
FT-808PR

Installation instructions

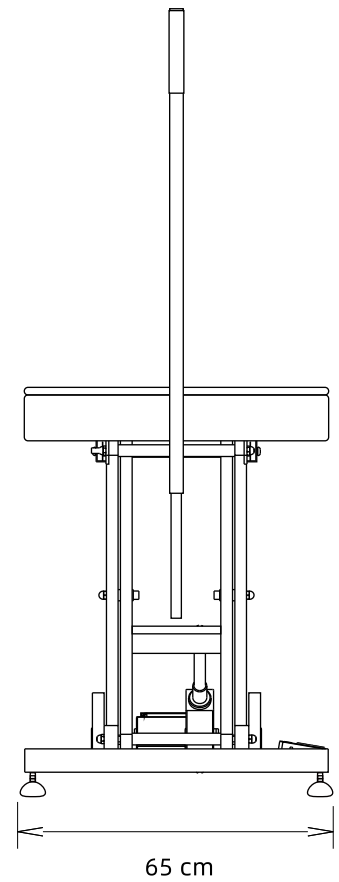
Use the fixing screws and metal pads to lock in the grooming arm



Parameter



Front view



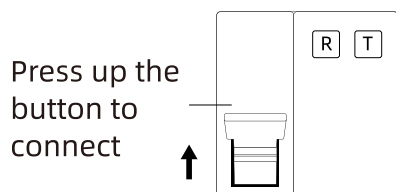
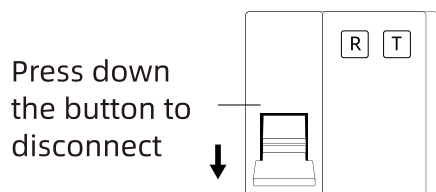
Side view

Type: FT-808PR			
Net weight(kg)	56	Gross weight(kg)	57.3
Voltage	110-240V	Hose type	0.223
Product dimensions (cm)	110x65x32.5-89.5	Package dimensions (cm)	115x68x29H

Instructions for use

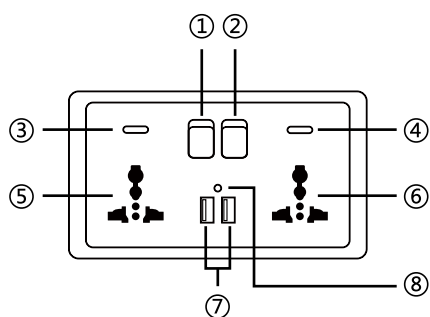
The use of the ALCI is as follows:

Max load power 3000w, IP grade IPX4



R Press it before close " R " **T** Press once per month

Power socket usage:



Left side switch①:

Power Socket⑤ and USB port⑦ ON/OFF status
Power Indicator light③ and USB port Indicator light ⑧ display ON/OFF status.

Right side switch②:

Power Socket⑥ ON/OFF status
Power Indicator light④ display ON/OFF status

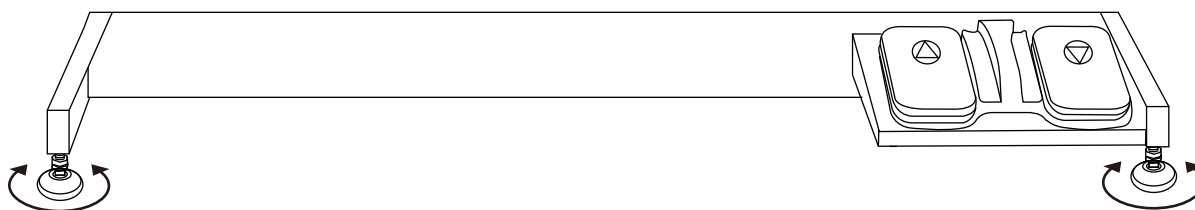
⑤⑥power socket (Max Power 3000W,

Please do not use the high-power electrical appliance long time)

⑦USB port output 5V 2.1A

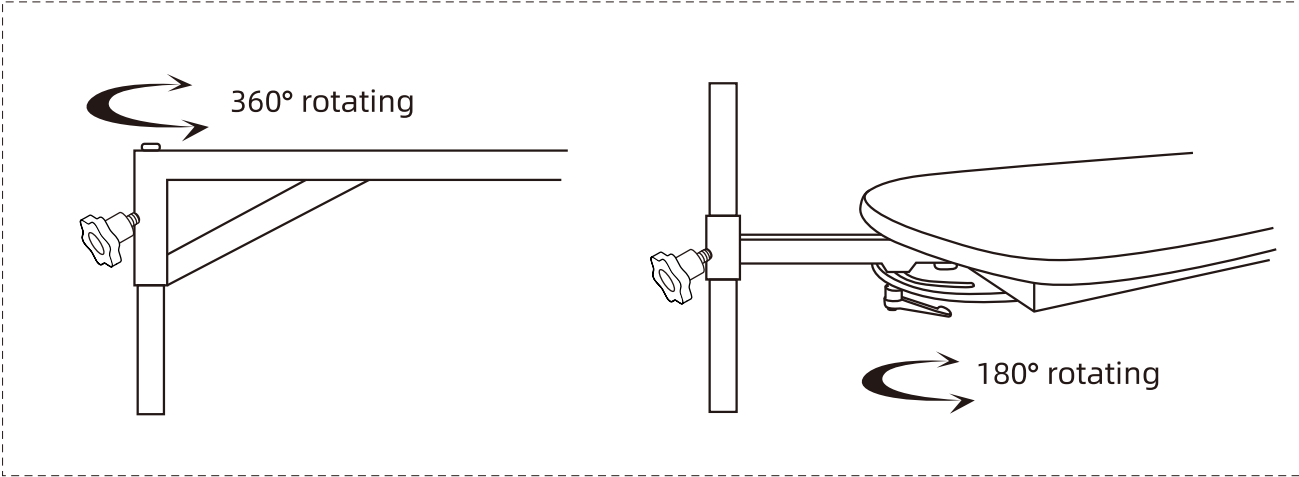
Adjust the leveler as below:

Rotate the leveler to a suitable height

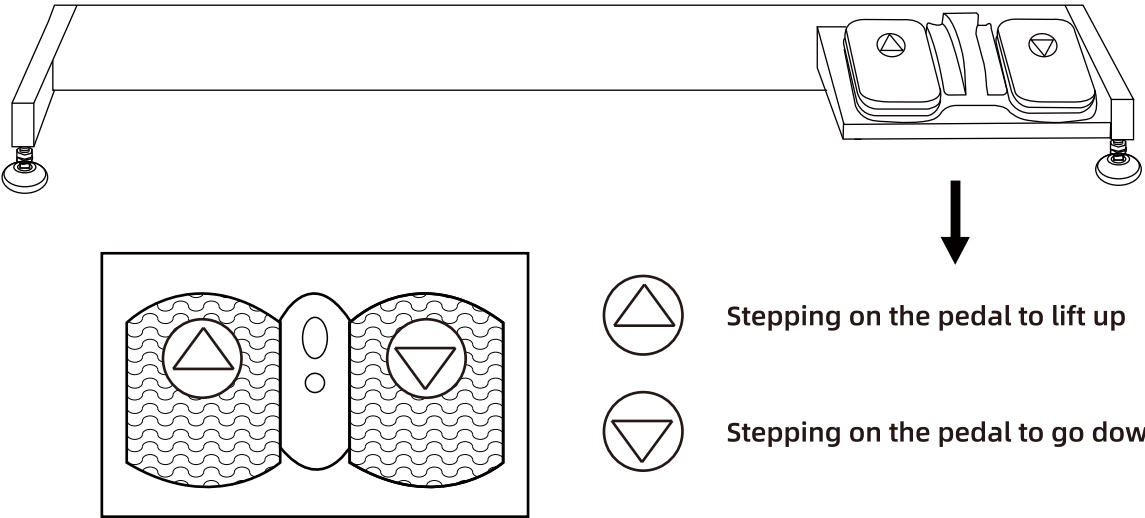


Instructions for use

Adjusting the grooming arm as below pics:



Instruction of foot pedal as below:



Note

1. This product is not intended for use by individuals (including children) with physical disabilities, delayed reactions, or mental disorders, unless there is the guardian shall supervise and guide the use of this product from the sidelines, and shall be responsible for the safety of the user;
2. Please do not let children get close to the lifting range of this product to prevent accidents.
3. Please do not disassemble it yourself if there are any abnormalities or malfunctions during use.
4. Do not contaminate with corrosive liquids or solids.
5. If you need to clean the frame and electric parts, you can use a dry towel and a hair dryer to remove any remaining hair on the surface, excrement, water stains, and other dirt.
6. Please check the power cable periodically. If the plug, power cable, or controller is damaged, do not continue to use it.
7. Do not use water to flush the power controller, foot pedal, and linear actuator . Otherwise, the electric control components will be damaged, and even electric shock may occur.