

AEOLUS

Professional Pet Drying Equipments Supplier

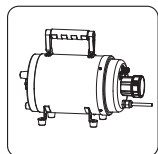


AEOLUS

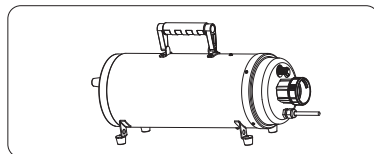
AEOLIAN

TD-901GTII

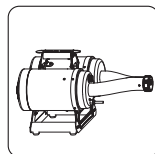
PET DRYER



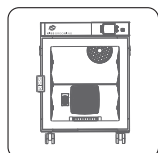
TD-901T



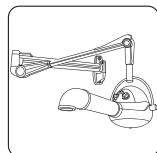
TD-900XT



TD-900CG



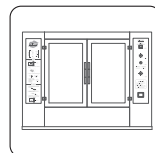
TD-907T



TD-905



TD-906



TD-907L

TD-901GTII

Distributor Contacts

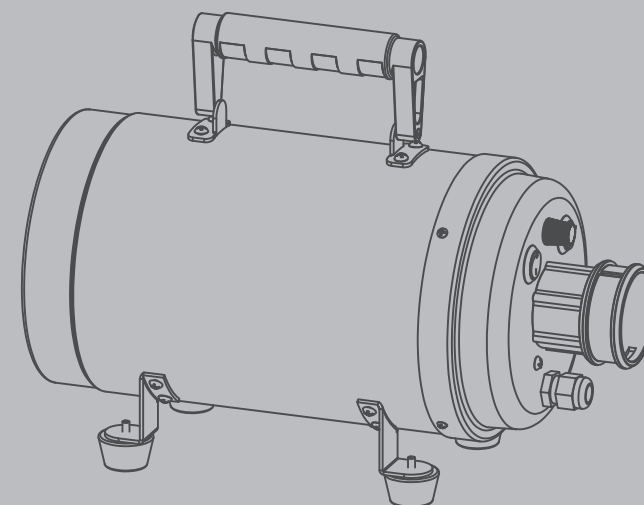


AEOLUS

Producer: Shanghai TOEX International Trading Co., Ltd.
Address: Floor 5, Building 6, No.675 Zhujin Road,
Songjiang District, Shanghai, 201615, China

Manufacturer: Shanghai Xunyun Industrial Co., Ltd.
Address: Lane 29, No.1509 East Qianming Road,
Fengjing Town, Jinshan District, Shanghai.

New
Generation



User Manual

Thank you for purchasing our products!

This dryer is an innovative brushed pet dryer, professional for pet grooming;

Large air volume, fast wind speed, high mechanical efficiency, and long service life with professional Ametek motor;

Magnet nozzle ensures easy replacement and installation;

Two nozzles meet different blowing needs: The crescent-shaped flat nozzle is suitable for quick drying of the pets' slender parts such as legs and tails; the round nozzle with a special inclined end will not only be used in regular direct blowing, but can also play a guiding role in drying the abdomen and other parts that are not easy for direct touch;

The addition of an insulation sheath ensures the safety of the pet groomers by avoiding the risk of "low temperature burns" on their front arms;

Metal shell for easy heat dissipation and low noise;

Overheat protection Heater;

Controllable Wind Speed & Adjustable Heating;

Compact, lightweight and portable;

Easy maintenance and cleaning.

Parts List

1 Dryer, 1 Hose, 1 Sheath, 2 Nozzles (flat and round)

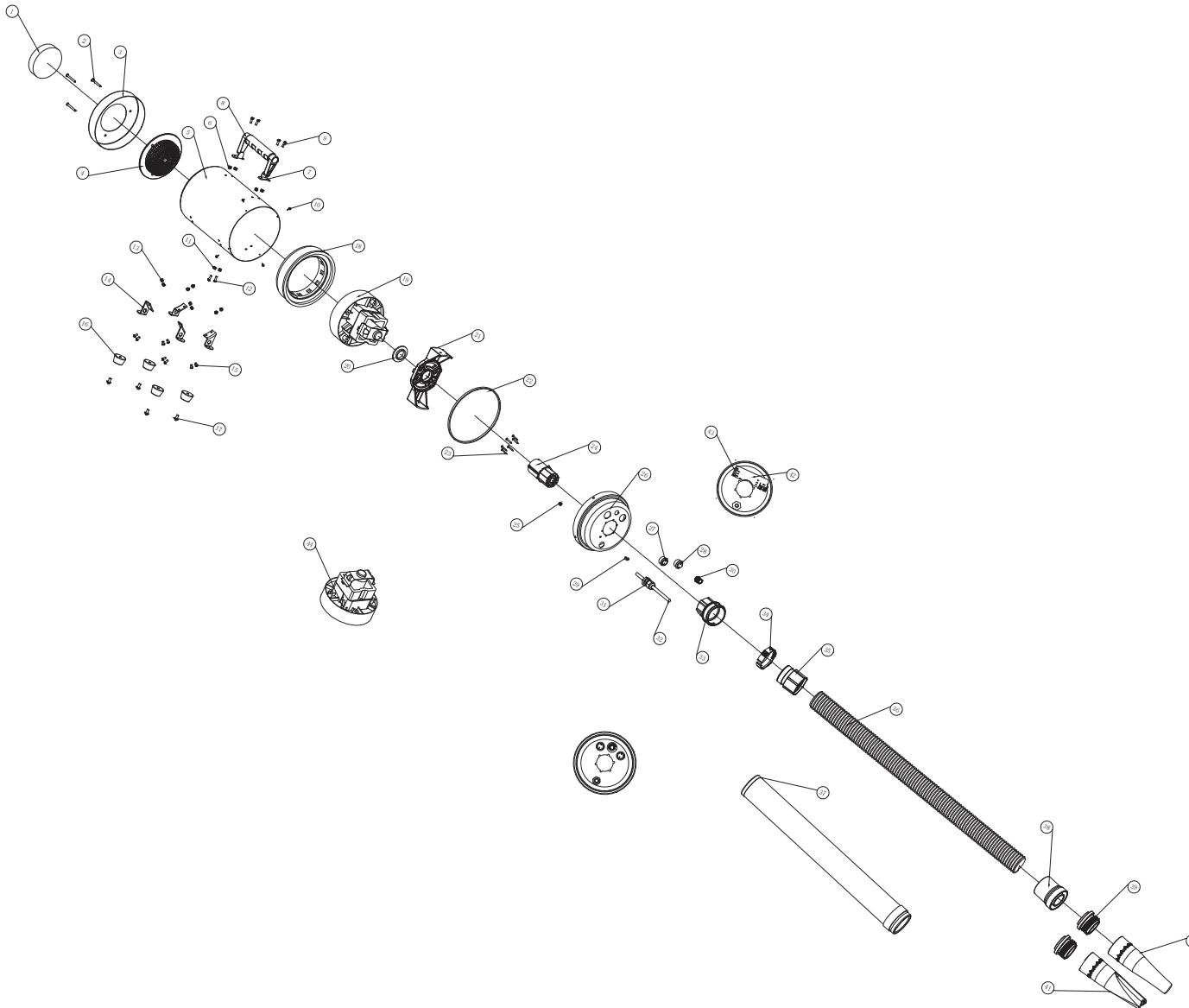
Safety Instruction

1. Pet dryer needs a single outlet which is at least 15A and has ground wire for itself. Please connect pet dryer with a correct outlet and do not share with other appliances.
2. Before switch on or turn off the power every time, please adjust the wind and temperature to the lowest, which can extend the lifetime of the machine.
3. Do not insert pins or any metal things into the clearance of the machine to avoid an electric shock and short circuit.
4. Do not use a cloth or bag to stop the diffuser or foam filter or it will do damage the machine.
5. If the machine has been used for some time and a malfunction occurs, you must ask the professional person to repair it. Do not disassemble by yourself.
6. If the power cord is damaged, discontinue use and have repaired by a professional.
7. Please keep children away when you operate the machine.
8. Do not hit the housing with fierce shock or drop the machine from high, which will damage the frame and motor.
9. Cardiopath or people with pacemaker are forbidden to use this machine.
10. Please hold the nozzle and hose firmly before turning the machine on, or the hose may wiggle and cause injury.
11. Must plug hose into the front cap connector before turning the machine on.
12. It's strictly forbidden to touch the components in the front cap connector with hand or any other objects in any situation.
13. The appliance is not intended for use by persons (including children) with reduced physical, sensory or mental capabilities, or lack of experience and knowledge, unless they have been given supervision or instruction concerning use of the appliance by a person responsible for their safety.
14. Children should be supervised to ensure that they do not play with the appliance.
15. If the supply cord is damaged, it must be replaced by the manufacturer or its service agent or a similarly qualified person in order to avoid a hazard.

Operation Instruction

1. Plug the flexible hose into the front cap connector. Choose and install a suitable nozzle according to your need. The magnet nozzle can be put on directly without screwing.
Note: Do not hit or quickly swing the magnet nozzle when the dryer is working.
2. Plug in the socket with correct voltage, switch power on.
3. Rotate the wind speed knob to adjust the wind speed. Rotate the heating knob to adjust the wind temperature.
4. Turn the wind speed knob back to minimum, turn the heating knob back to minimum and then turn off the power switch after usage.
5. Unplug the dryer from the mains, unplug the hose and nozzle, and put the machine and accessories back to box.

Structure Chart



Remarks: The chart is only for repair parts order references, the real structure should be subject to current available product, since we may make modifications without notice in formal written form.

Item No.	Serial No.	Part Name	Quantity
1	TD-90093	Foam Filter	1
2	TD-90180	M4×35 Screw	3
3	TD-90005-II	Rear Cap	1
4	TD-90181	Filter Mount	1
5	TD-90010-II	Short Housing	1
6	TD-90006	M4 Lock Nut	4
7	TD-90012-SLV	Handle Mount	2
8	TD-900185	Handle	1
9	TD-90002	M4×12 Screw	4
10	TD-90013	PA3×8 Self-tapping Screw	4
11	TD-90006	M4 Lock Nut	2
12	TD-90002	M4×12 Screw	2
13	TD-90006	M4 Lock Nut	8
14	TD-90182	Housing Leg	4
15	TD-90065	M4x8 Screw	8
16	TD-90011	Rubber Foot	4
17	TD-90015	M5×10 Screw with washer integrated	4
18	TD-90016-II	Vibration Absorber Ring on the bottom of Motor	1
19	TD-90165-II	Ametek Motor(220V/50Hz,2200W)	1
20	TD-90018	Rubber Washer	1
21	TD-90166	Single Motor Fixture Bracket for AMETEK 5.7" Motor	1
22	TD-90021	Rubber Seal	1
23	TD-90023	PA3×16 Self-tapping Screw	6
24	TD-90022(-220V/600W)	Heating Element Assembly	1
25	TD-90006	M4 Lock Nut	1
26	TD-90024	Front Cap	1
27	TD-90027	Heating Switch	1
28	TD-90030	Power Switch	1
29	TD-900187	M4x8 Screw and Lock Nut	1
30	TD-90028	Wind Speed Knob	1
31	TD-90025	PG9 Waterproof Cable Connector	1
32	TD-90026	Power Cable	1
33	TD-90031	Front Cap D52 Hose Connector	1
34	TD-90032	D52 Nylon Clip	1
35	TD-90034	D52 Hose Connector	1
36	TD-90033	D52 Flexible Hose-	1
37	TD-90117	Heat Insulation Sheath	1
38	TD-90183	Magnet Connector on the Hose	1
39	TD-90184	Magnet Connector on the Nozzle	2
40	TD-90118	Inclined Round Nozzle	1
41	TD-90119	Concave Narrow Nozzle	1
42	TD-90173-220V	PCB Type I-220V	1
43	TD-90132-20A-220V	Fuse 220V, 20A	1
44	TD-900188	Carbon Brush	1

Maintenance

1. Please clean the sponge filter by washing or air blowing, be sure to fix the filter again when it's dry. The sponge filter can be taken out without removing the front cover.
2. Keep the surface clean and dry, and use a dry and soft cloth to clean the surface.
3. Wet cloth with neutral detergent and wipe to remove stubborn stains and dirt.
4. Use only mild neutral detergent.
5. For brushed dryers, when the carbon brushes run out, please renew the brushes following the guide line in this booklet or consult with the professionals.

Carbon brush replacement

1. Put the new carbon brush into the groove, tighten the braided wire of the old brush and twist the old wire with the new one together.
2. Put the twisted wires into a copper tube of outer diameter of 3.5mm and inner diameter of 3mm.
3. Tighten the wires and put the copper tube to the root of the old wire as near as possible to control the length of the wire.
4. Use specialized pliers to clamp the root of the copper tube twice at a angel of 90.
5. Use a clamp to cut off excess tube and wire. The reserved length of the copper tube is about 4mm.
6. After cutting off, the distance from the silicon steel sheet of stator should be at least 5mm when the copper tube and brush wire are pulled up.
7. Organize the carbon brush wire to ensure that it is under the spring arm. Organize excess carbon brush wires as much as possible to the outside of the spring.

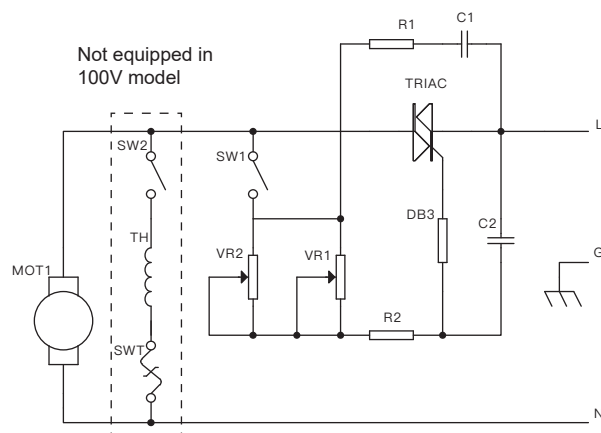
Parameters

Product Name&Model	Pet Dryer, TD-901GTII
Rated Voltage	220V, 50Hz
Rated Current	12.7A
Maximum Power	2800W
Heating Power	600W
Blow Force	850g
Noise	75 decibels
Net Weight	5kg
Gross Weight	5.75kg
Product Dimension	348×163×210mm
Packing Dimension	490×300×230mm

Remarks:

1. The parameters are tested with 2.5m long flexible hose and $\Phi 16$ mm round nozzle.
2. We may not publish formal notice in written form when the parameters changed after new improvements.
3. The manufacturing standards and testing stands subject to TOEX company standard: TXPS-ALPD-0901(T)-2012.

Circuit Diagram



Correct Disposal of this product

This marking indicates that this product should not be disposed with other household wastes throughout the EU. To prevent possible harm to the environment or human health from uncontrolled waste disposal, recycle it responsibly to promote the sustainable reuse of material resources. To return your used device, please use the return and collection systems or contact the retailer where the product was purchased. They can take this product for environmental safe recycling.

